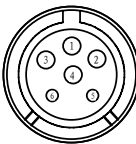


6 PIN MOTOR CONNECTOR


| Pin | Color | Function |
|-----|--------------|-----------|
| 1 | Yellow | U |
| 2 | Red | V |
| 3 | Black | W |
| 4 | Yellow/green | PE |
| 5 | Brake (+) | IF FITTED |
| 6 | Brake (-) | |



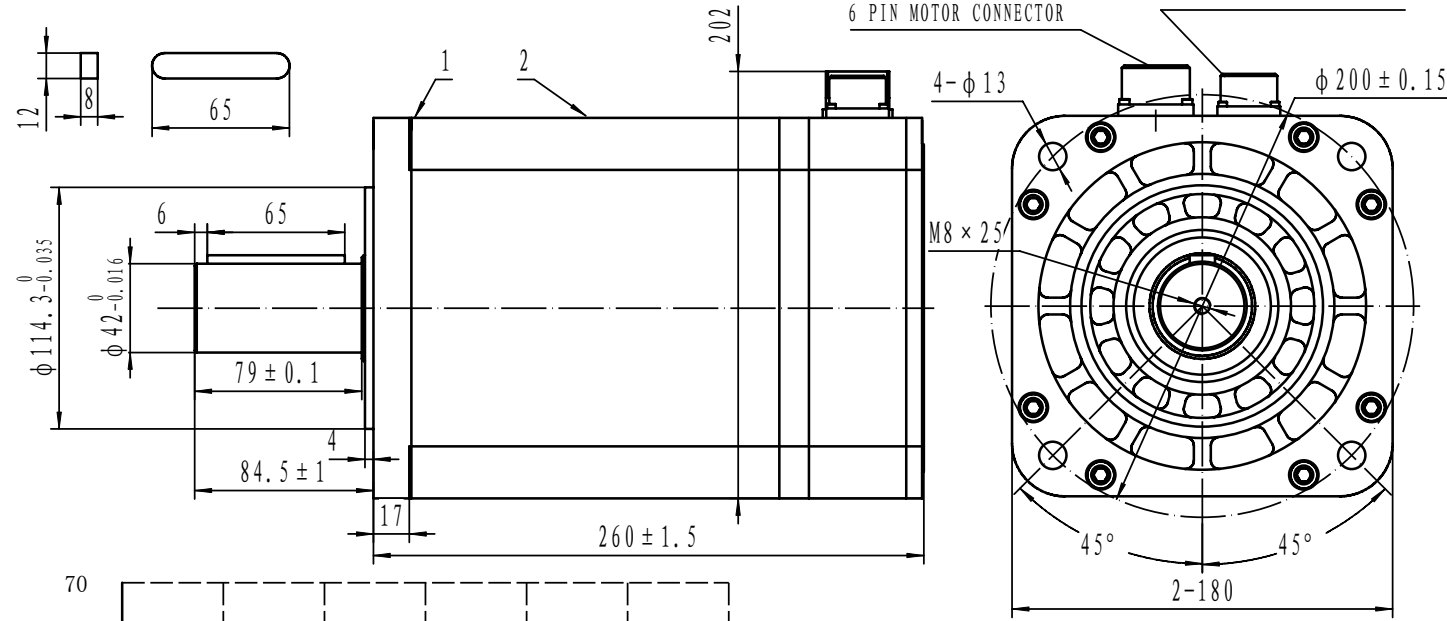
YL2406TZ-Y
6 PIN

17PIN ENCODER CONNECTOR

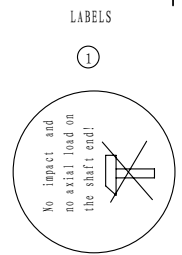
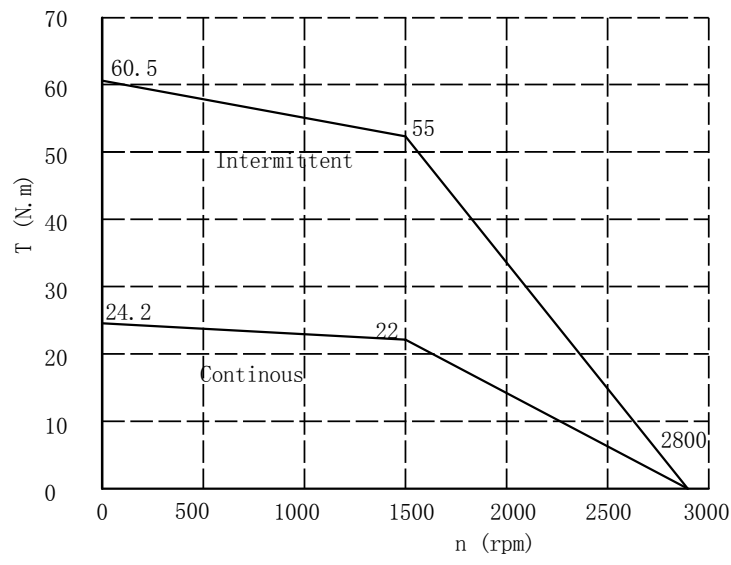
| PIN | FUNCTION | PIN | FUNCTION |
|-----|-----------|-----|----------|
| 1 | DC +5V | 10 | /U |
| 2 | GND | 11 | V |
| 3 | A | 12 | /V |
| 4 | /A | 13 | NC |
| 5 | B | 14 | Z |
| 6 | /B | 15 | /Z |
| 7 | KTY84-130 | 16 | W |
| 8 | KTY84-130 | 17 | /W |
| 9 | U | | |



17 PIN YL2217ZJ



| Technical Data | | |
|--|--|---|
| No. of poles | 8 | |
| DC Link Voltage UDC | 560 | |
| Rated Power Pn (W) | 3500 | |
| Rated Torque Tn (N.m) | 22 | |
| Rated Speed ns (rpm) | 1500 | |
| Rated Current Is (A) | 10.3 | |
| Maximum torque Tm (N.m) | 55 | |
| Maximum Current Im (A) | 25.75 | |
| Standstill torque Ts (N.m) | 24.2 | |
| Standstill current Is (A) | 11.33 | |
| Resistance line-line Rl (Ω) | 1.2 | |
| Inductance line-line Ll (mH) | 12.7 | |
| Electrical time constant te (ms) | 10.58 | |
| Mechanical time constant tm (ms) | 3.42 | |
| Voltage constant Ke (V/krpm) | 135 | |
| Torque constant Kt (Nm/A) | 2.23 | |
| Rotor moment of inertia Jm (Kg.cm ²) | 82 | |
| Insulation class | F | |
| Max. radial force Fr (N) | 1600 | |
| Max. axial force Fa (N) | 800 | |
| Weight (Kg) | 22.7 | |
| Feed back device | 2500p/rev incremental encoder OIH48-TS5214N8566 | |
| Temperature sensor | KTY84-130 (IF FITTED) | |
| Cooling method | Totally enclosed non-ventilated | |
| protection level | IP65, shaft sealing IP54 | |
| Environmental conditions | Temperature | -20°C---40°C |
| | Humidity | Below 90%RH (No dewing) |
| | Environment | Far away active gas, combustible gas, oil drop, ash. |
| Rating conditions | Installation altitude | UP TO 1000m: rated power, above 1000m: 1.5% power decreasing per 100m, max. 4000m |
| | Mounting | Aluminum Flange 457*457*12.7 |
| | Temperature | 60K housing temperature ring at 40°C ambient |



Kinco AC SERVO MOTOR
SMH180D-0350-15AAK-4HKC

| | |
|----------|-------|
| W 3500 | V 380 |
| A 10.3 | Nm 22 |
| RPM 1500 | Ins F |

Kinco Electric (shenzhen) Ltd. IP65
MADE IN CHINA
S/N: K12NCK00YYDDNNNN

| REV | ECN NO. | DESCRIPTION | DRN | APP'D | DATE | DESIGN | DATE | P/N. |
|--|---------|-------------|-----|-------|------|------------------------|-----------|---------------------------------|
| | | | | | | | | K3.162.4000SS |
| UNLESS OTHERWISE SPECIFIED TOLERANCES: | | | | | | MATERIAL | CHECK | TITLE |
| DECIMALS: .x ± 0.5 .xx ± 0.25 .xxx ± 0.1 | | | | | | | APPD | USED ON SMH180D-0350-15AAK-4HKC |
| ANGULAR: ± 0° 30' | | | | | | THIRD ANGLE PROJECTION | SCALE 1:1 | DWG NO. |
| UNIT: mm | | | | | | | SHEET OF | REV B |
| DO NOT SCALE DRAWING | | | | | | | | Kinco |

借 (通) 用 件 登 记
旧 底 图 总 号
底 图 总 号
签 字
日 期
档 案 员 日 期