

Standard function type inductive sensors **LR12X** series


Features

- ◆ Non contact detection, safe and reliable;
- ◆ ASIC design;
- ◆ Perfect choice for metallic targets detection;

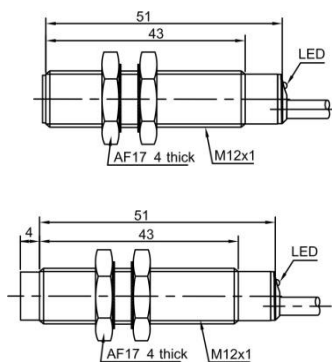
Part number

| | | | | | |
|-----------|--------------|--------------|-----------|--------------|--------------|
| NPN NO | LR12XBF02DNO | LR12XBN04DNO | PNP NO | LR12XBF02DPO | LR12XBN04DPO |
| NPN NC | LR12XBF02DNC | LR12XBN04DNC | PNP NC | LR12XBF02DPC | LR12XBN04DPC |
| NPN NO+NC | LR12XBF02DNR | LR12XBN04DNR | PNP NO+NC | LR12XBF02DPR | LR12XBN04DPR |

Technical specifications

| | | | | | |
|----------------------------|--------------------------------|-------------|-------------------------|--|---------|
| Mounting | Flush | Non-flush | Leakage current [Ir] | ≤15mA | |
| Rated distance [Sn] | 2mm | 4mm | Circuit protection | Short-circuit, overload and reverse polarity | |
| Assured distance [Sa] | 0...1.6mm | 0...3.2mm | Output indicator | Yellow LED | |
| Dimensions | M12*51mm | M12*55 mm | Ambient temperature | -25°C...70°C | |
| Output | NO/NC (depends on part number) | | Ambient humidity | 35-95%RH | |
| Supply voltage | 10...30 VDC | | Switching frequency [F] | 1500 Hz | 1000 Hz |
| Standard target | Fe 12*12*1t | Fe 12*12*1t | Voltage withstand | 1000V/AC 50/60Hz 60s | |
| Switch-point drifts [%/Sr] | ±10% | | Insulation resistance | ≥50MΩ(500VDC) | |
| Hysteresis range [%/Sr] | 1...20% | | Vibration resistance | 10...50Hz (1.5mm) | |
| Repeat accuracy [R] | ≤3% | | Degree of protection | IP67 | |
| Load current | ≤200mA | | Housing material | Nickel-copper alloy | |
| Residual voltage | ≤2.5V | | Connection type | 2m PVC cable | |

Dimensions



Wiring diagram

